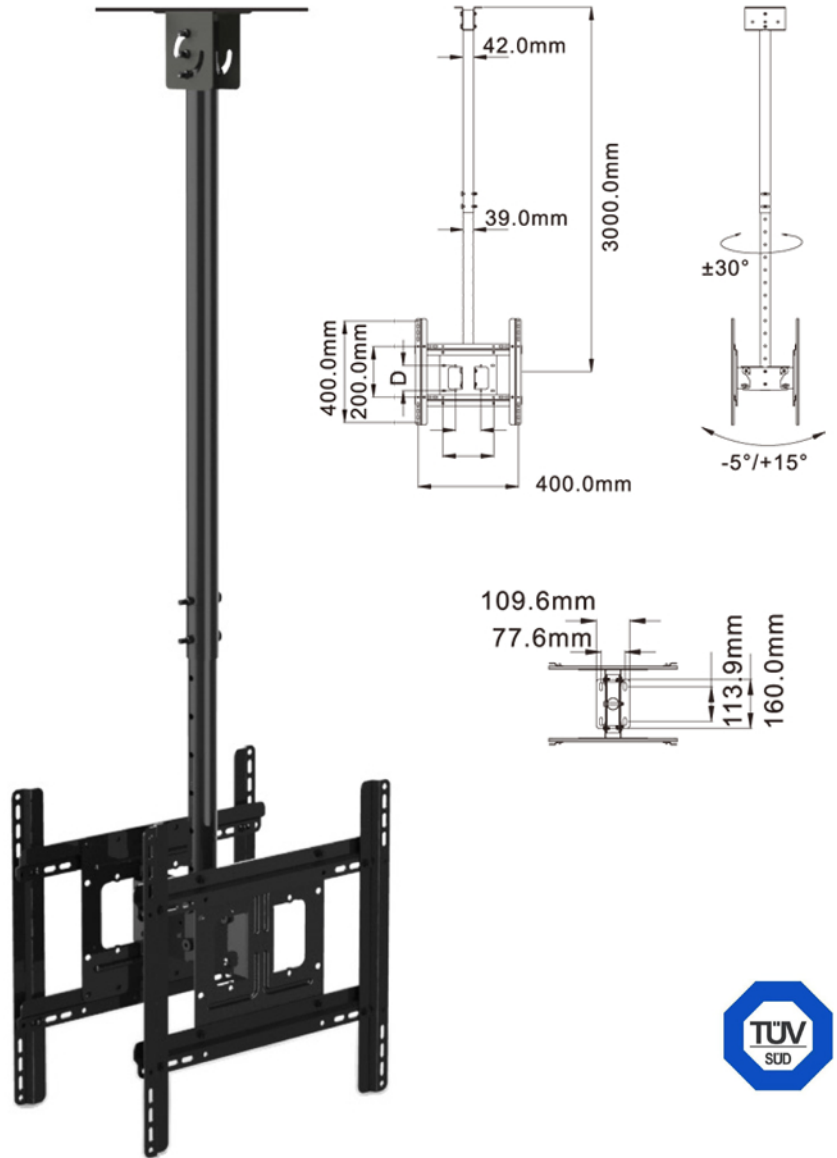




Ready when you are.

# M Public Ceilingmount Medium Back to Back

The new M Public Ceilingmount Medium Back to Back is a sturdy double flat panel ceiling mount with VESA adapters supporting VESA up to 400x400. The M Public Ceilingmounts Back to Back feature allows medium sized flat panels or digital signage solutions to be seen from multiple locations. Change the screen from landscape to portrait by demounting the screen and then fixing the screen to needed position.



## SPECIFICATIONS

M Public Ceilingmount Medium Back to Back	
For screen size:	32-46"
VESA standard:	100x100 200x100 200x200 300x300 400x200 400x400 mm
EAN:	7 350 022 735 477
Pillar length:	Min: 832 — Max: 3000 mm
Weight:	8,68 kg
Tilt:	-5° — +15°
Colour:	Black
Max load:	65 kg
Portrait / Landscape mode:	Yes
Turn:	-30° — +30°
Material:	Steel
Warranty:	5 years