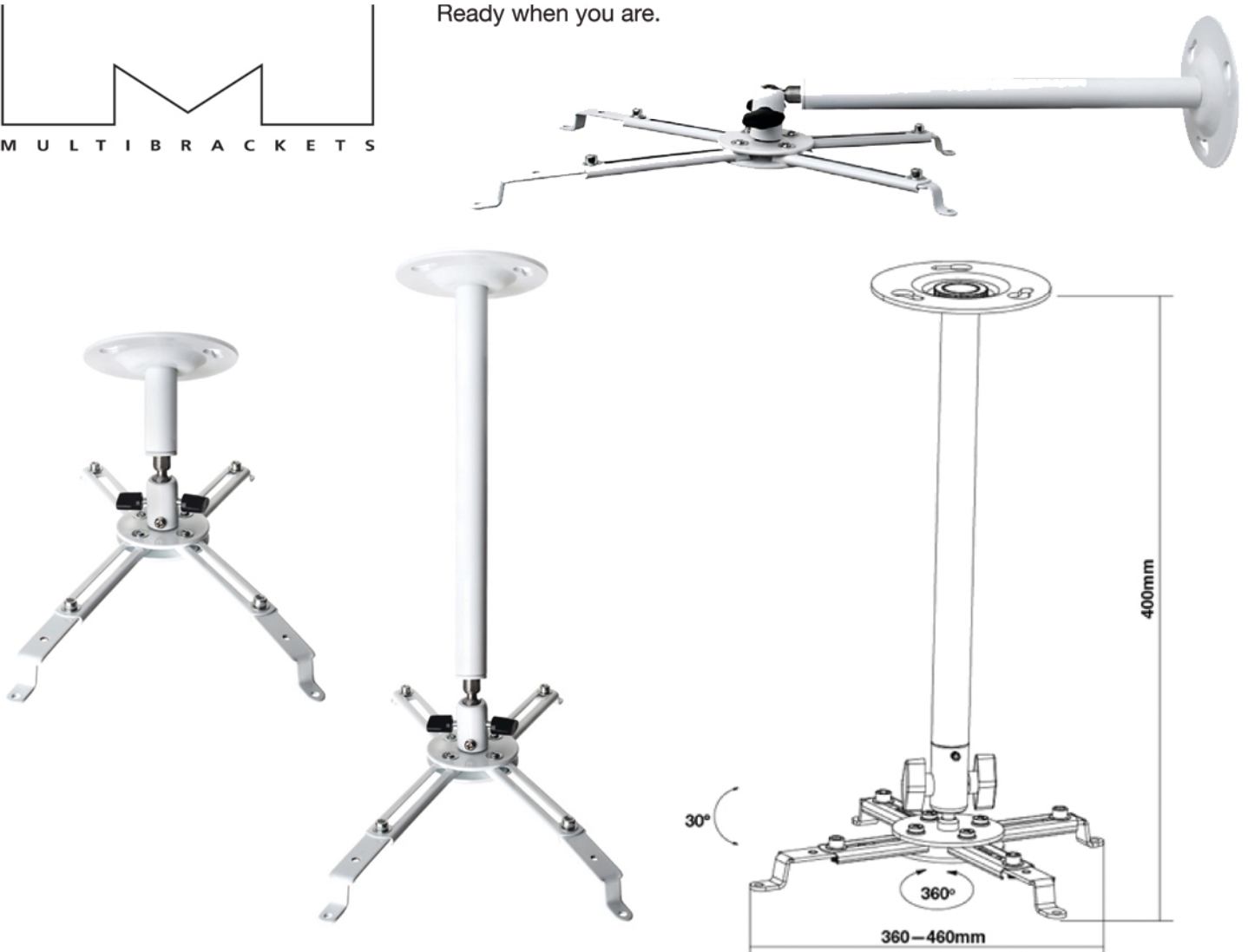




Ready when you are.



## M Universal Projector Ceiling/Wallmount III

When mounted to the ceiling the M Universal Projector Ceiling/Wallmount III is a classic projector bracket. You can adjust the pillar to different heights 180mm, and 430mm and the projector can also be angled to fit

almost any need. When mounted to the wall The M Universal Projector Ceiling/Wallmount III holds your projector well suspended from the wall. It can carry projectors up to 15kg's.

### SPECIFICATIONS

#### M Universal Projector Ceiling/Wallmount III

EAN:	7 350 022 731 011
Height:	180 mm or 430 mm
Distance from the ceiling minimum:	180 mm
Distance from the wall minimum:	430 mm
Tilt:	Yes
Weight:	2 kg
Colour:	White
Max load ceiling / wall:	15 / 7,5 kg
Tilt:	+/-30°
Rotate:	360°
Distribution package:	10 pcs
Warranty:	5 years