

# Standard Package

www.fiberfox.co.kr

# Mini 4S

4 Motors  
Active Alignment Splicer



- 1 MINI 4S Splicer
- 2 Cleaver Softcase
- 3 MINI 50G Cleaver
- 4 Power Cord
- 5 USB Cable
- 6 AC Adapter
- 7 Car Cigar Cable
- 8 Cooling Tray
- 9 Spare Electrode
- 10 SOC Heater Block
- 11 SOC Holder
- 12 2 Battery Packs
- 13 Shoulder Strap
- 14 User Manual CD
- 15 Hand Carrying Case

## Specifications

|                       |  |
|-----------------------|--|
| Splicing Method       | Active Alignment DAA(Digitalized Active Alignment)   |
| Average Loss          | SM(0.03dB) / MM(0.01dB) / DS(0.05dB) / NZDS(0.05dB) / G.657(0.03dB)  |
| Return Loss           | >>60dB   |
| Splice Time           | 12s average SM / SM 7s Quick mode  |
| Electrode Lifespan    | >3,500 arcs  |
| Applicable Fiber      | SM(ITU-T G.652, MM(ITU-T G.651), DS(ITU-T G.653), NZDS(ITU-T G.655), IT-G657A, IT-G657B 0.25mm, 0.9mm, 2.0mm, 2.4mm, 3.0mm, FLAT(indoor cable) |
| Cleaved Length        | Coating Diameter < 0.25mm = 5-16mm, Coating Diameter > 0.25mm = 8-16mm minimum   |
| Coating Diameter      | 100-1000um   |
| Cladding Diameter     | 80-150um   |
| Heating Programs      | Factory installed mode : 3, User installable mode : 23   |
| Heating Time          | Typical 18s  |
| Protection Sleeve     | 40mm, 60mm, SOC-3.0, SOC-0.9   |
| Data Output           | Micro HDMI-USB master device   |
| Splice Programs       | 8 user modes, User installable mode : 70+  |
| Splice Memory         | Up to 2000 records   |
| Battery               | Typical 130 Cycles (Splice & Heat) / single battery <2 Batteries Standard>   |
| Power Supply          | AC 100-240V input or DC 9-14V  |
| Monitor               | Color 4.3" LCD monitor, with Touch Screen (Tempered Glass)   |
| Cameras               | 2 CCD camera system  |
| Magnification         | XY : 150 times , X/Y : 300 times   |
| Fiber Display         | X/Y or XY, single X.Y  |
| Weight                | 1.29Kg (without battery)   |
| Size                  | 124mm X 123mm X 130 mm   |
| Wind Protection       | The max wind speed 15m/s   |
| Operating Environment | Elevation 0-5000 meters, -15~60°C, 0-95% relative humidity   |
| Storage Condition     | Temperature -40 to 80°C, 0-95% relative humidity, battery -20-30°C   |
| Pull Test             | 1.96-2.25N (standard)  |



## 4 Motors Active Alignment Splicer

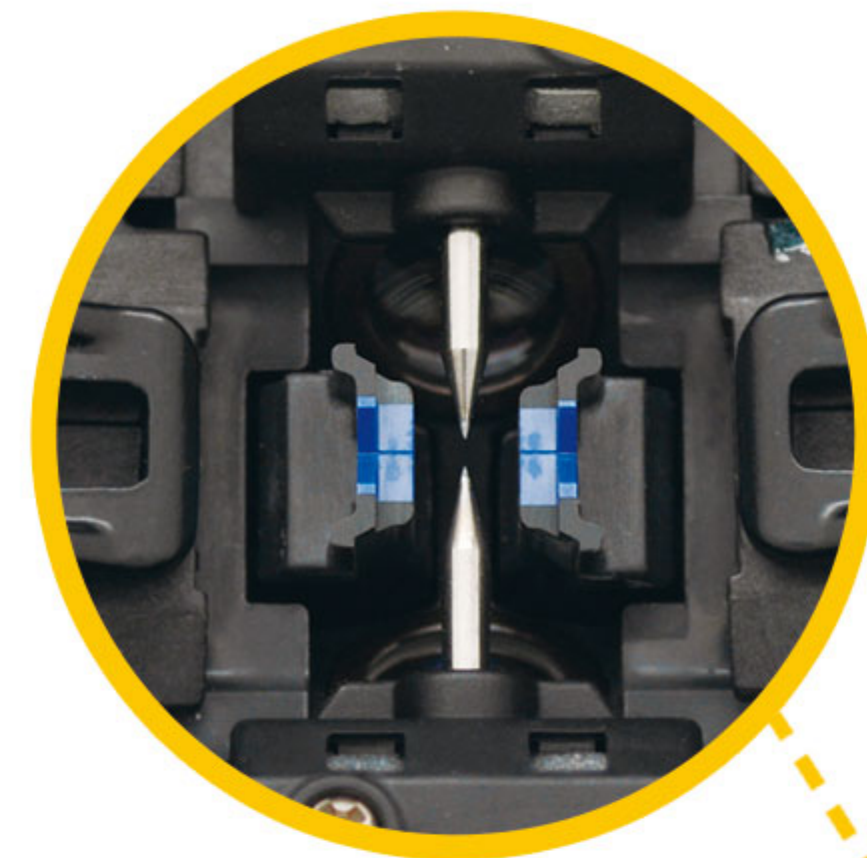
1.29  
kg

260  
cycles

7  
sec

0.03  
dB

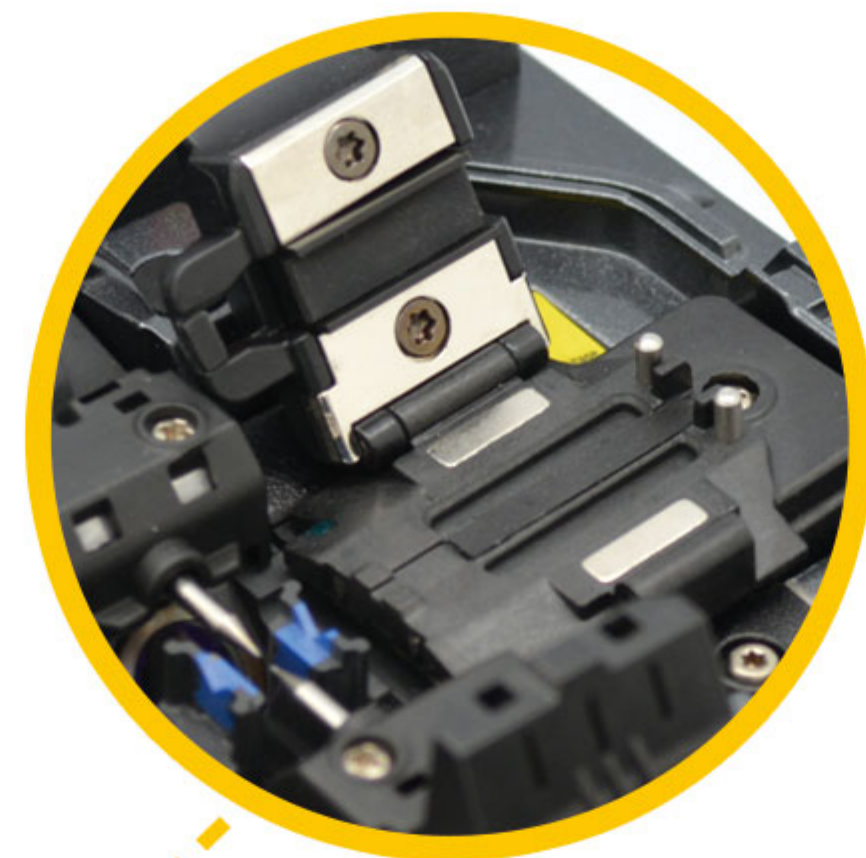
# Characteristic



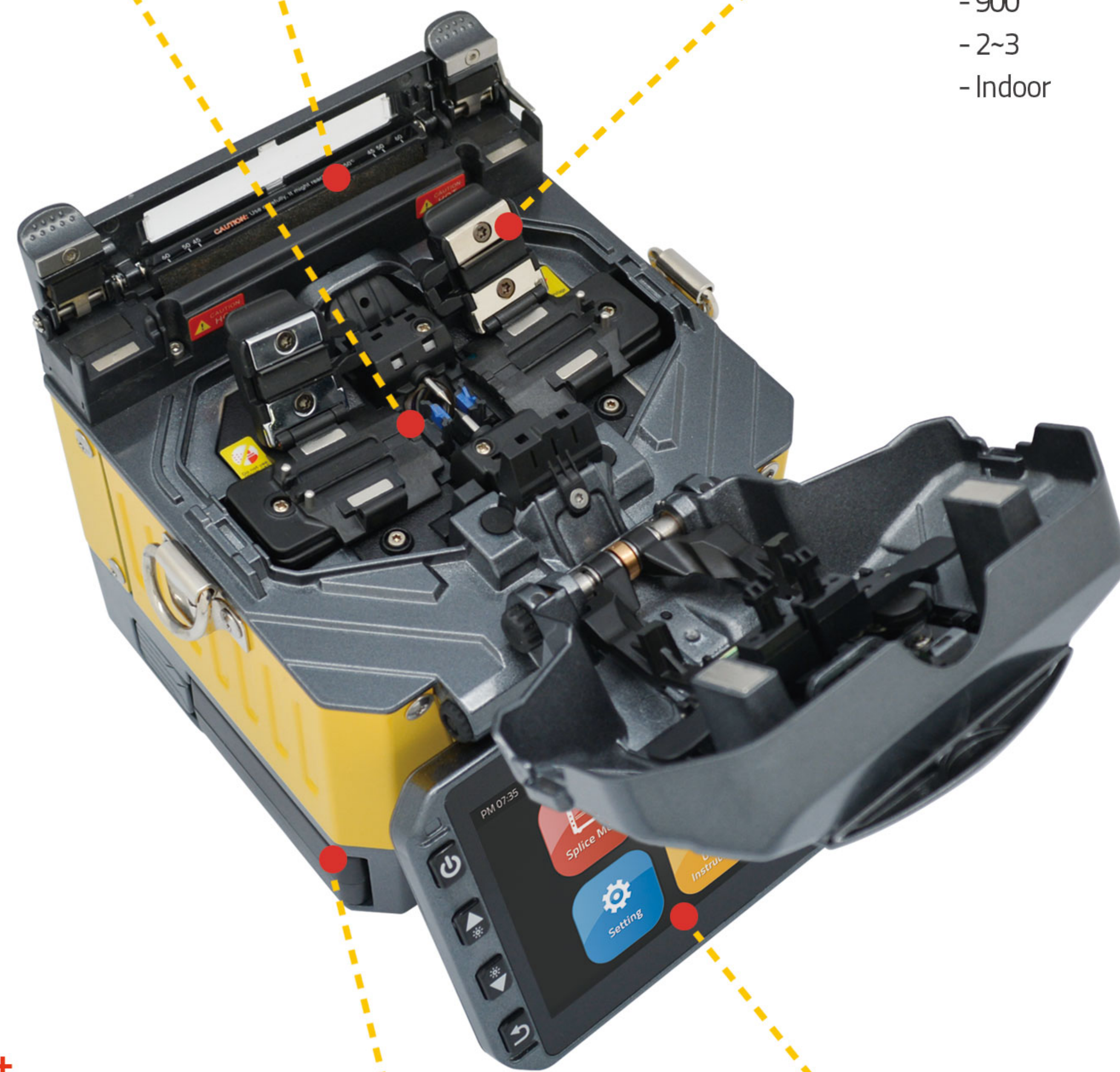
Applicable Cleaved Length  
- Up to 5mm



Heating Time  
- 18 sec <60mm sleeve>



Universal Holder  
- 250  
- 900  
- 2~3  
- Indoor



# Mini 4S

1.29kg  
(Without Battery)

122 x 124 x 131 mm

## Option product



Work Table Bag



Two Batteries are Included in Standard Package  
- 260 cycles (splicing & heating) with Two Batteries



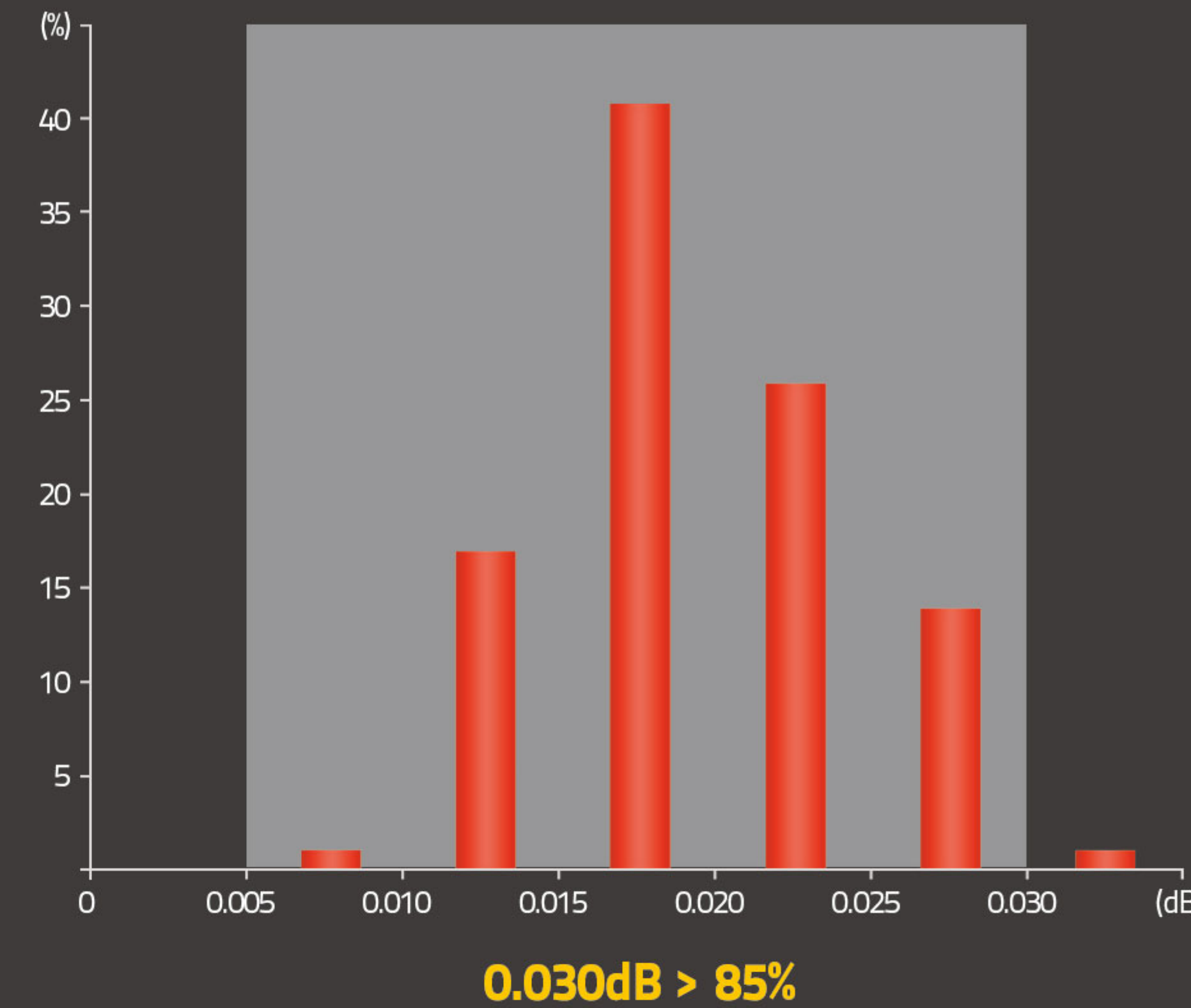
Full Touch Screen  
- GUI Interface  
- Tempered Glass

# 01 Performance

## Performance

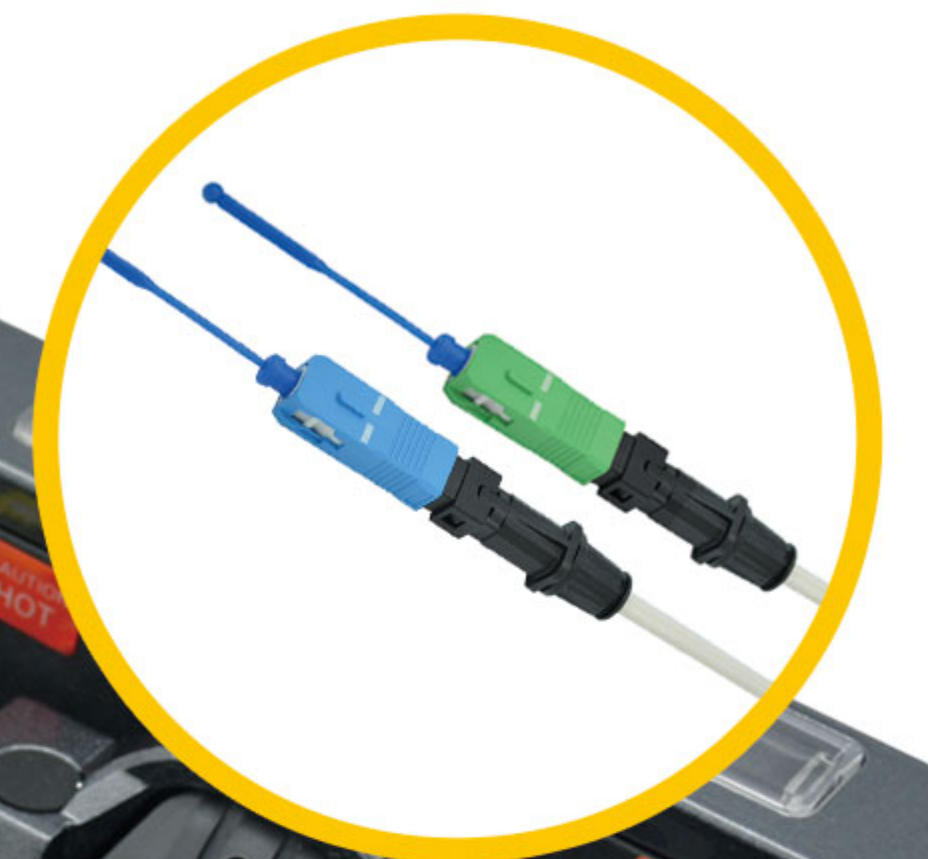
Perfect performance under any environmental conditions

- Temperature: -15~60°C
- relative humidity: 0~95%
- Elevation: 0~5000meter
- The max wind speed: 15m/s



# 02

SOC Compatible



# 03

Durability



1meter

Anti-shock

# 04

FTTH Solution

Dustproof

Waterproof

